

The ratchet fitting for headrests in upholstered furniture: SimFlex



SimFlex with round link is used to adjust separately upholstered neck rests in upholstered furniture.

Thanks to the aesthetic bright chrome link SimFlex adds value as design element to the appearance of the upholstered furniture.

Well-known quality from Hettich.

Please contact us!
We are pleased to advise you!

Hettich Franke GmbH & Co. KG
Hinter dem Ziegelwasen 6/1
72336 Balingen-Weilstetten
Phone: 07433 3083-0
Fax: 07433 3083-44

E-Mail: info-hbl@hettich.com
www.hettich-franke.com

Technical details at one look:

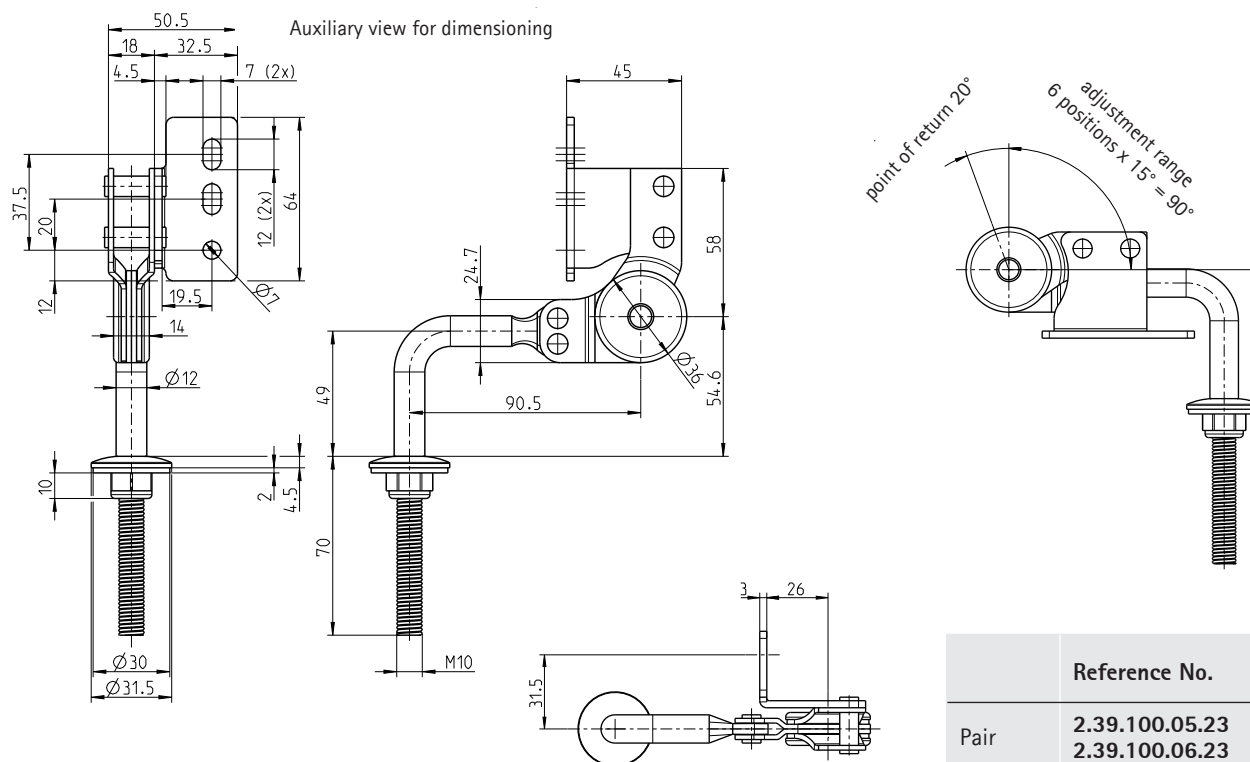
- ▶ Suitable for headrests
- ▶ Maximum torque is 100 Nm
- ▶ The fitting allows increments of 15°
- ▶ Adjustment area from 0° to 90°
- ▶ Small diameter of only 36 mm
- ▶ Round link with aesthetic bright chrome finish
- ▶ The item is supplied with all parts necessary for assembly:
 - ▶ Self-locking M10-nut
 - ▶ Washer
 - ▶ Chromed cover ring



The ratchet fitting for headrests in upholstered furniture:

► Drawings

SimFlex 100



SimFlex 200

